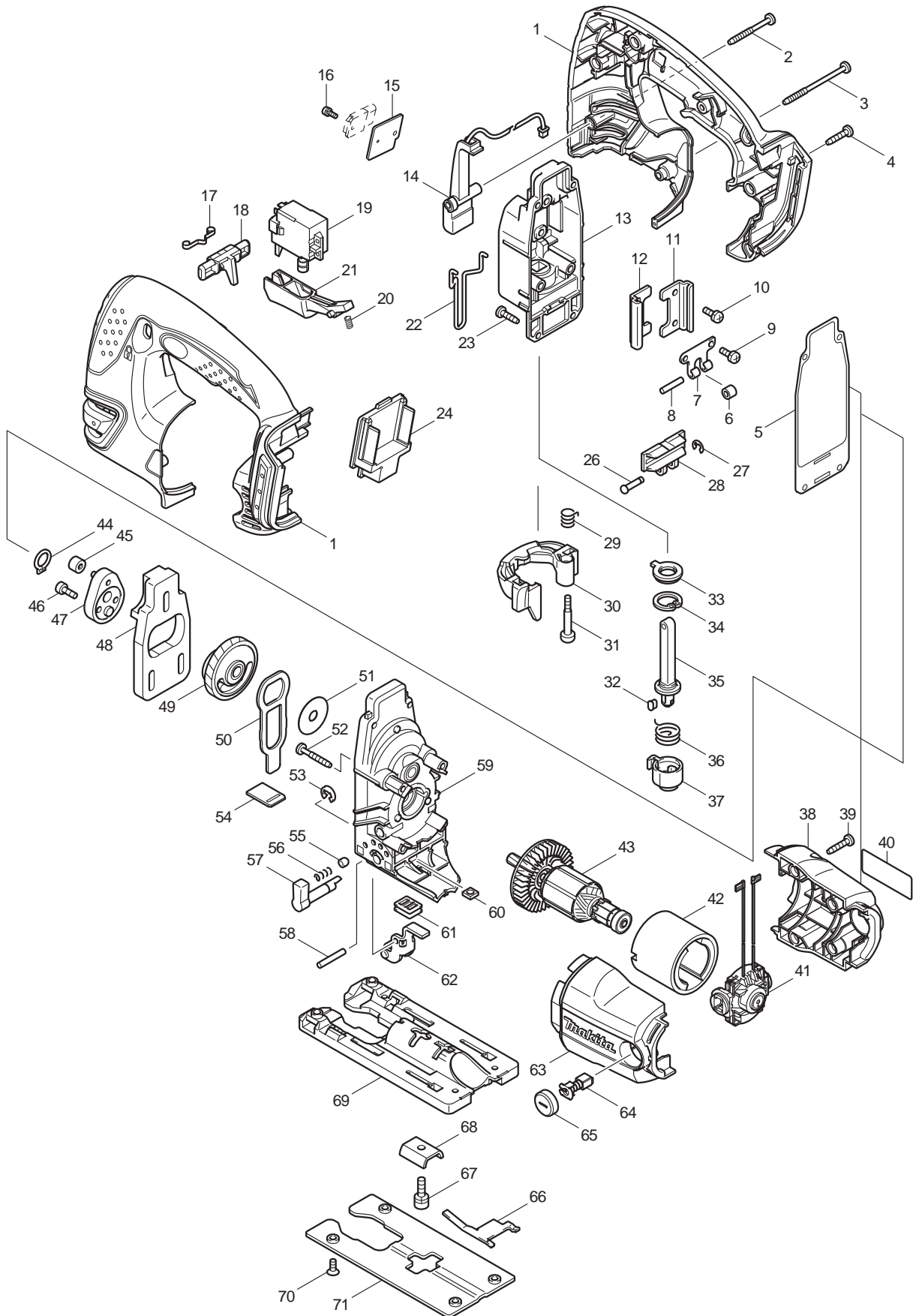




04 - 2014
DJV180F, DJV180RFE, DJV180Z
18V JIG SAW (LI-ION)



Item No	Type	Ref	Part No	Description	Qty	Unit
001			187725-4	HANDLE SET	1	SET
002			266048-4	TAPPING SCREW 4X40	1	PC.
003			266091-3	TAPPING SCREW 4X50	1	PC.
004			265995-6	TAPPING SCREW 4X18	5	PC.
005			442138-9	PACKING	1	PC.
006			214031-5	PLANE BEARING 4	1	PC.
007			232207-2	LEAF SPRING	1	PC.
008			256117-9	PIN 4	1	PC.
009			911111-5	PAN HEAD SCREW M4X10	2	PC.
010			911111-5	PAN HEAD SCREW M4X10	2	PC.
011			345240-6	LINEAR GUIDE	1	PC.
012			345240-6	LINEAR GUIDE	1	PC.
013			153338-3	GEAR HOUSING COVER COMPLETE	1	PC.
		INC.	253313-0	THIN WASHER 14	1	PC.
		INC.	257250-0	RING 20	1	PC.
		INC.	421815-6	DUST SEAL 8	1	PC.
014			631744-7	LIGHT CIRCUIT	1	PC.
015			689070-8	HEAT SINK	1	PC.
016			911006-2	PAN HEAD SCREW M3X8	1	PC.
017			232152-1	LEAF SPRING	1	PC.
018			419613-0	LOCK OFF BUTTON	1	PC.
019			650650-7	SWITCH C3LA-2A-PLSRS	1	PC.
020			233118-4	COMPRESSION SPRING 4	1	PC.
021			419754-2	SWITCH LEVER	1	PC.
022			324233-6	SAFETY WIRE	1	PC.
023			266034-5	TAPPING SCREW CT 4X16	4	PC.
024			644808-8	TERMINAL	1	PC.
026			268090-1	PIN 4	1	PC.
027			961017-7	STOP RING E-3	1	PC.
028			310134-4	SLIDER	1	PC.
029			231659-4	TORSION SPRING 6	1	PC.
030			419820-5	TOOL OPENER	1	PC.
031			265026-1	+ PAN HEAD SCREW M4	1	PC.
032			310135-2	PUSH PIN	1	PC.
033			421817-2	DUST COVER	1	PC.
034			962068-3	RETAINING RING R-18	1	PC.
035			165326-8	ROD	1	PC.
036			231660-9	TORSION SPRING 15	1	PC.
037			310136-0	BLADE HOLDER	1	PC.
038			188208-7	MOTOR HOUSING SET	1	SET
039			265995-6	TAPPING SCREW 4X18	4	PC.
040			815K50-6	NAME PLATE F/DJV180	1	PC.
041			638504-8	ENDBELL COMPLETE	1	PC.
042			638373-7	YOKE UNIT	1	PC.
043			619206-5	ARMATURE	1	PC.
044			961004-6	RETAINING RING S-8	1	PC.
045			212092-9	NEEDLE BEARING 407	1	PC.
046			265353-6	HEX. SOCKET HEAD BOLT M4X12	2	PC.
047			153336-7	CRANK COMPLETE	1	PC.
048			313108-4	BALANCE PLATE	1	PC.
049			158168-7	GEAR COMPLETE	1	PC.
050			345235-9	PUSH PLATE	1	PC.
051			253877-4	FLAT WASHER 8	1	PC.

Item No	Type	Ref	Part No	Description	Qty	Unit
052			266050-7	TAPPING SCREW 4X30	4	PC.
053			961018-5	STOP RING E-5	1	PC.
054			417839-8	SEAL PLATE	1	PC.
055			286032-3	CAP 5	1	PC.
056			233139-6	COMPRESSION SPRING 3	1	PC.
057			272280-0	LEVER 17	1	PC.
058			268063-4	PIN 4	1	PC.
059			158169-5	GEAR HOUSING COMPLETE	1	PC.
060			252171-1	SQUARE NUT M5-8	1	PC.
061			421816-4	DUST SEAL	1	PC.
062			153334-1	RETAINER COMPLETE	1	PC.
064			195018-5	CARBON BRUSH CB-430, 2PCS/SET, W/ ORIGIN	1	SET
065			643807-7	BRUSH HOLDER CAP	2	PC.
066			232208-0	LEAF SPRING	1	PC.
067			922226-3	HEX. SOCKET HEAD BOLT M5X18	1	PC.
068			345237-5	CRANK PLATE	1	PC.
069			317565-8	BASE	1	PC.
070			912107-9	COUNTERSUNK HEAD SCREW M4X8	4	PC.
071			345238-3	BASE PLATE	1	PC.
C01			848183-6	CARTON F/BJV180Z	1	PC.
D01			652038-7	PAN HEAD SCREW M3X8	2	PC.
D02	2		654233-5	INSULATED TERM. FT1.25-M3TOR	2	PC.
D03			654208-4	RECEPTACLE	2	PC.
E01			802J50-9	CAUTION LABEL (W/NO BATTERY NO.)	1	PC.

ACCESSORIES

- See Catalogue or visit www.makita.ca for more accessories information -

A01			415524-7	ANTI-SPLINTERING DEVICE	1	PC.
A02			417852-6	COVER PLATE	1	PC.
A03			792724-9	JIG SAW BLADE 6PC KIT (2 EA: B-10, B-22, BRR-13)	1	PC.
A03			B-44410	JIGSAW BLADE 10PC/KIT	1	PC.
A06	2		E-10687	JIG SAW BLADE ASSORTED 3PC KIT	1	KT
A07			783202-0	HEX. WRENCH 4	1	PC.
A08			---	BATTERY CHARGER		
A09			---	18V LI-ION BATTERY		
A10			141486-0	PLASTIC CARRYING CASE COMPLETE	1	PC.
		INC.	450909-0	LATCH	2	PC.
A12			---	LI-ION BATTERY ACCESSORIES		
A13			193516-3	GUIDE RULE SET	1	PC
A14			P-80020	DUST NOZZLE	1	PC.
A15			197252-3	GUIDE RAIL ADAPTER	1	PC.
A16			193517-1	GUIDE RAIL ADAPTER	1	PC
A17			199140-0	GUIDE RAIL 1000MM	1	PC
A18			194368-5	GUIDE RAIL 1400MM	1	PC
A19			199141-8	GUIDE RAIL 1500MM	1	PC
A20			194925-9	GUIDE RAIL 1900MM	1	PC
A21			194367-7	GUIDE RAIL 3000MM	1	PC
A22			198885-7	GUIDE RAIL CONNECTORS	1	PC
A23	2		E-05664	GUIDE RAIL BAG 1500MM	1	PC
A24	3		E-10936	GUIDE RAIL BAG 3000MM	1	PC
A25			196664-7	BEVEL GUIDE SET	1	PC
A26			194417-8	RUBBER SHEET 384" (10000MM)	1	PC
A27			194416-0	VINYL SHEET 384" (10000MM)	1	PC